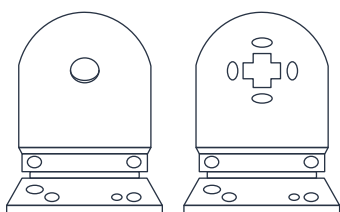




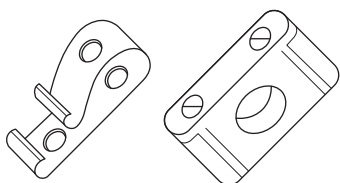
Roller Blinds
Installation & Operation Instructions

YOU SHOULD HAVE

PERFECT FIT ITEM LIST



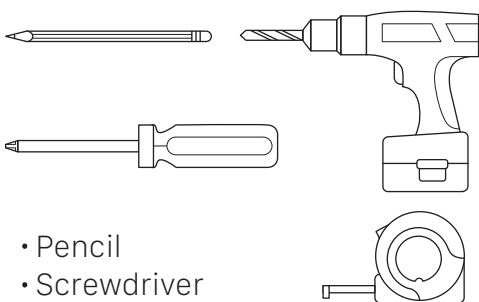
BRACKETS



SAFETY DEVICES

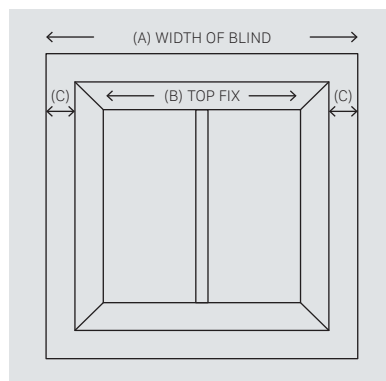
- 2 - Piece Cleat
- Cord & Chain Tidy

TOOLS REQUIRED



- Pencil
- Screwdriver
- Power-Drill
- Tape Measure

STEP 1



Outside Recess

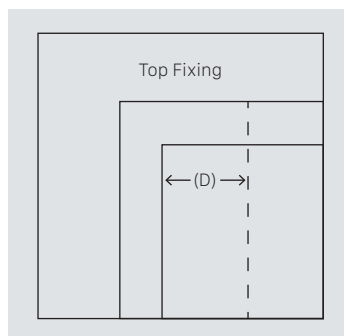
If the blind is to be mounted outside the window, ensure that the measurement C is consistent. Follow the instructions for FACE FIXING. Calculate C using the formula: $C = (A - B) / 2$.

Inside Recess

Use TOP FIX to attach to the lintel or FACE FIX brackets to mount onto the window frame.

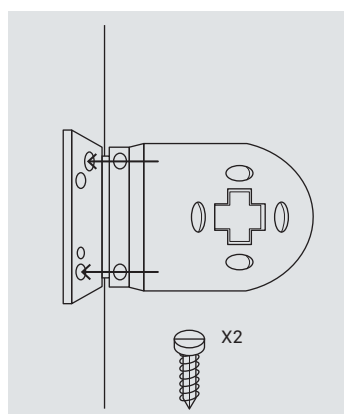
WARNING: CHILDREN CAN BE STRANGLERD IF A SAFETY DEVICE IS NOT INSTALLED. ALWAYS USE A SAFETY DEVICE TO KEEP CORDS AND CHAINS OUT OF CHILDREN'S REACH.

STEP 2



Top Fixing

Measure and mark the distance (D), taking into account any obstructions such as handles that protrude into the recess. Hold each bracket in place and mark the hole positions. Secure each bracket with appropriate screws, ensuring the fixings are suitable for the wall or surface.

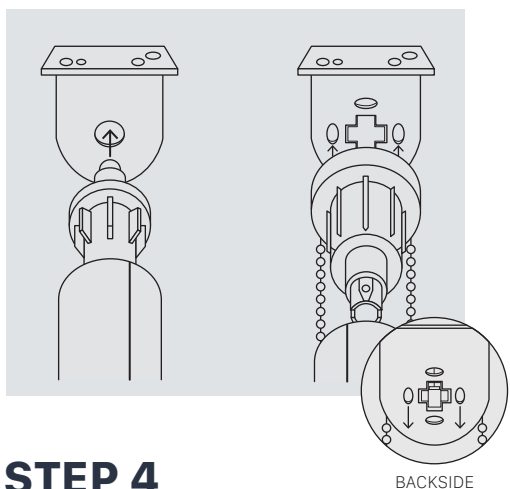


Face Fixing

Hold each bracket in position and mark the hole locations. Secure each bracket with suitable screws, ensuring they are appropriate for the wall or surface you are mounting to.

THE INSTALLATION OF THIS PRODUCT SHOULD BE CONDUCTED BY SOMEONE COMPETENT IN DIY.

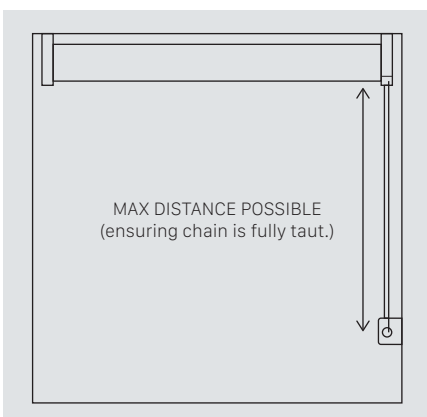
STEP 3



While holding the fully-wound blind, insert the idle pin end into the bracket as shown.

With the idle pin end securely in place, insert the control end into the opposite bracket by compressing the pin end, then pull down vertically until the control end clicks into position.

STEP 4

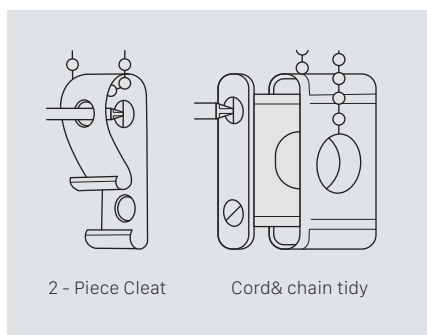


Safety Device

The safety device must be installed at the maximum possible distance from the control mechanism to prevent the looped chain from becoming slack. Place the safety device on the wall and mark the positions of the two screw holes. Drill holes using a suitable drill bit and position the device, ensuring the chain is fully taut.

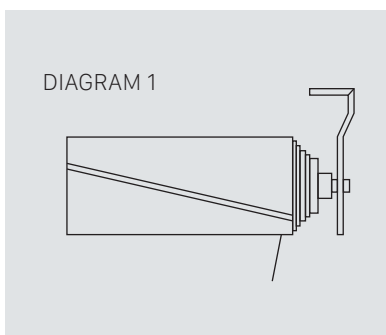
If your blind is supplied with a child-safe easy-break chain connector, additional safety device installation is unnecessary. In this case, you can skip Steps 4 and 5.

STEP 5



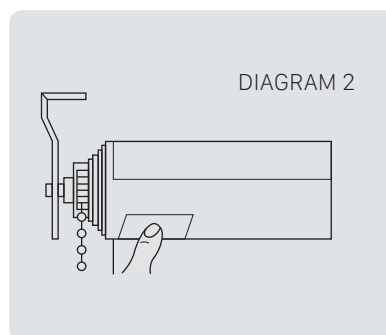
Fitting The Safety Device

Securely attach the safety device to the wall using appropriate fixings.



Fabric Run-off

Diagram 1 illustrates the fabric veering off on the right-hand side of the blind. To fix this, unroll the fabric and attach a 25mm piece of sticky tape to the tube at the end opposite to the side of the run-off (as shown in Diagram 2). Fully roll the blind back up and repeat the process until the fabric aligns correctly.

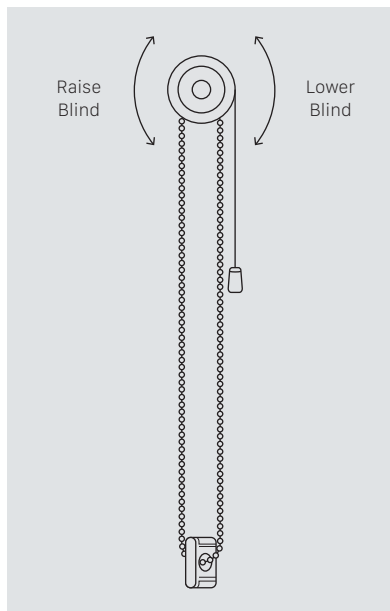


OPERATION INSTRUCTIONS

STANDARD ROLL

(FABRIC UNROLLS FROM BEHIND BLIND)

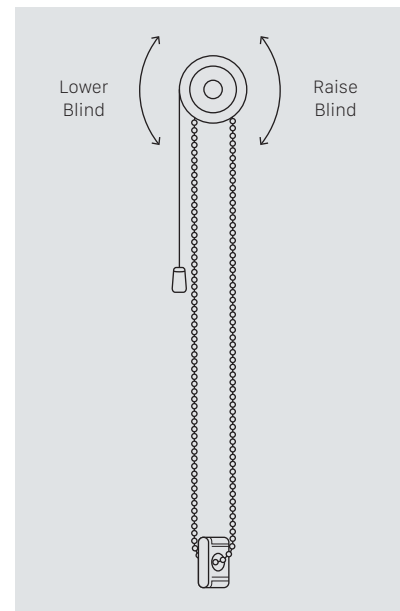
- 1) To lower the fabric on the roller blind, gently pull the operating chain nearest to the window.
- 2) To raise the fabric on the roller blind, gently pull the operating chain furthest from the window.
- 3) Whenever possible, operate the chain from just above the chain connector. This reduces pressure on the component, minimizing the risk of it snapping or coming apart.



REVERSE ROLL

(FABRIC UNROLLS FROM FRONT OF BLIND)

- 1) To lower the fabric on the roller blind, gently pull the operating chain furthest from the window.
- 2) To raise the fabric on the roller blind, gently pull the operating chain closest to the window.
- 3) When possible, operate the chain from just above the chain connector to reduce pressure on this component, decreasing the likelihood of it snapping or pulling apart.



OPERATING YOUR BLIND

The product is maintenance free however we recommend that regular visual checks are completed to ensure that no components have been damaged, which could result in operating difficulties and/or cause a safety risk. If any maintenance is required we recommend that the work is carried out immediately, by a reputable blind company.

WARNING

Young children can be strangled by loops in pull cords, chains, tapes and inner cords that operate the product.

To avoid strangulation and entanglement, keep cords out of the reach of young children. Cords may become wrapped around a child's neck. Move beds, cots and furniture away from window covering cords.

Do not tie cords together. Make sure cords do not twist and create a loop.

